

## How to tighten the screws

1. It is always recommended to tighten the screws deep enough. The tighter the screws are, the more stable a puzzle will be (and probably more stiff while making turns).

2. Always leave a little bit of radial space along the screw so that the center cap can be lifted by around 1~2mm for single layered models.

\*\*For those in-between models, like #65, #85, #88, #89, it is recommended to tighten further.

\*\*For neat multiple layered models like #61, #75, #87, tighten the screws to their full depth.

3. Rules of thumb. Tension adjustment is in general dependent on personal judgement. Different tension could result in very different feel. Start with simple models and accumulate your own sense. Use different springs, screws, nuts if you think the default set can't provide your favorite handle.

4. Previous description of sticking screws out of nuts by 1-3mm is misleading in some cases and is not anymore recommended. Reason: the height of caps varies in different models.

VeryPuzzle  
2021/08/06

# VeryPuzzle

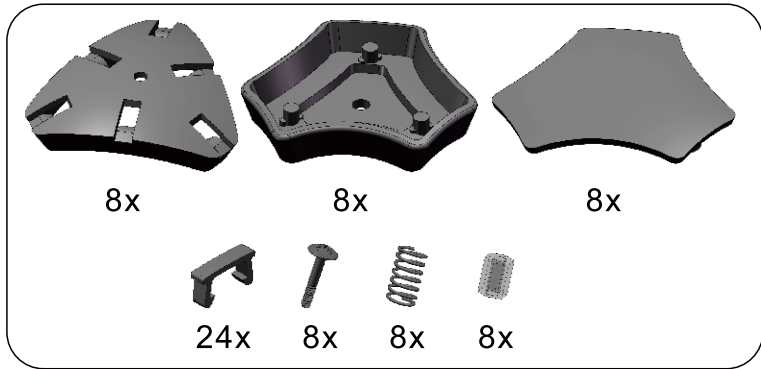


**CORD V1.0**  
**C101RD1**  
**#77**

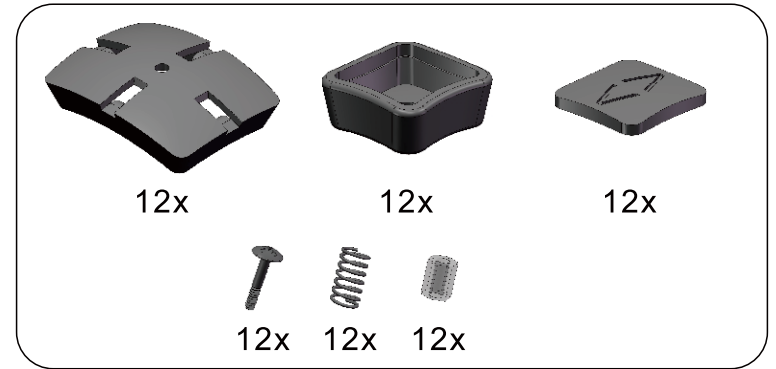
400+ parts  
26 axes



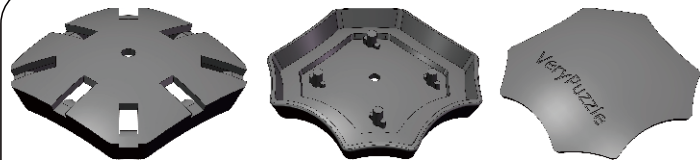
1



2



3



6x

6x

6x



48x



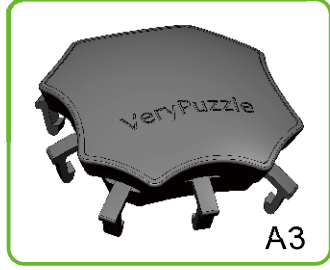
6x



6x



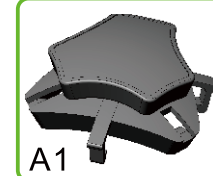
6x



A3

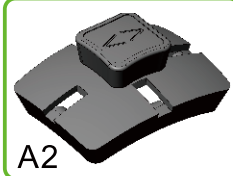
6x

4



A1

8x



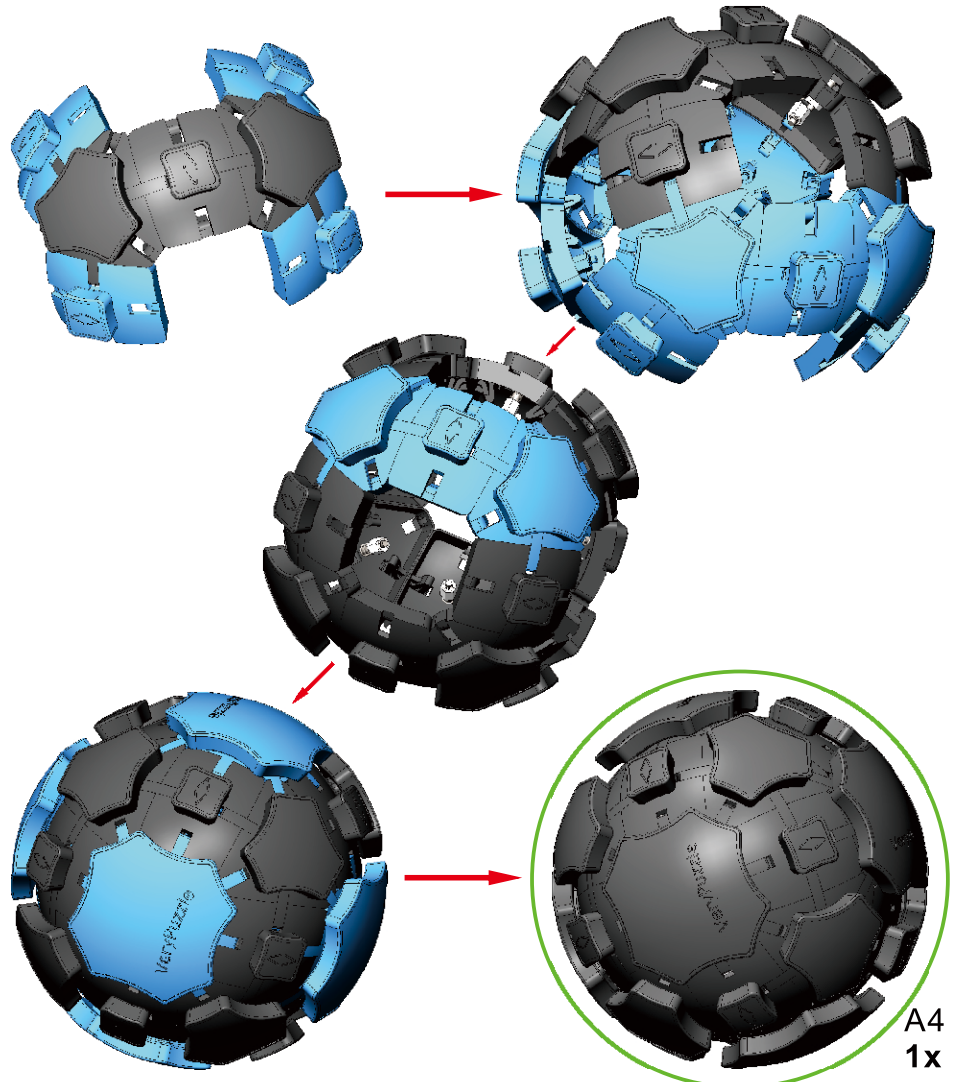
A2

12x



A3

6x



A4

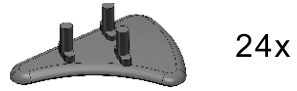
1x



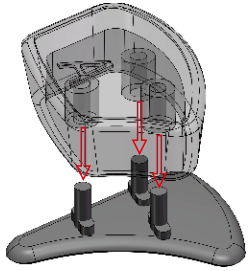
5



24x



24x



A5  
24x

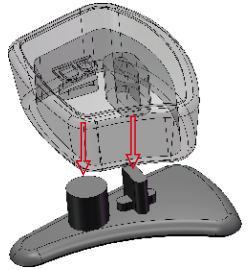
6



24x



24x

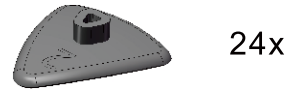


A6  
24x

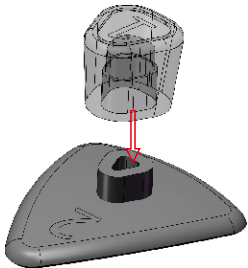
7



24x



24x



A7  
24x

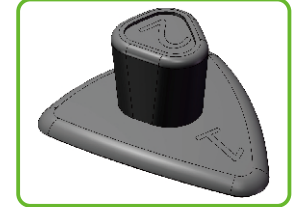
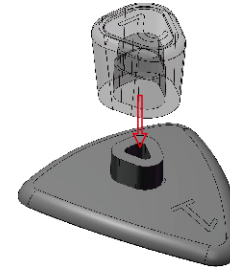
8



24x



24x



A8  
24x

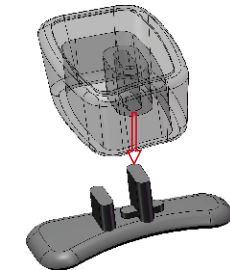
9



24x

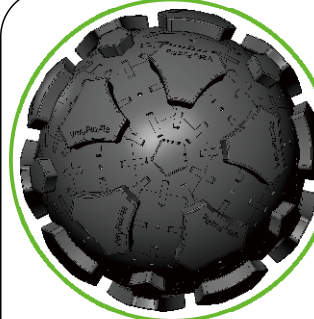


24x

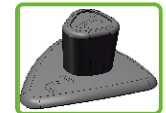


A9  
24x

10



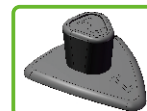
A4  
1x



A7  
24x



A5  
24x



A8  
24x



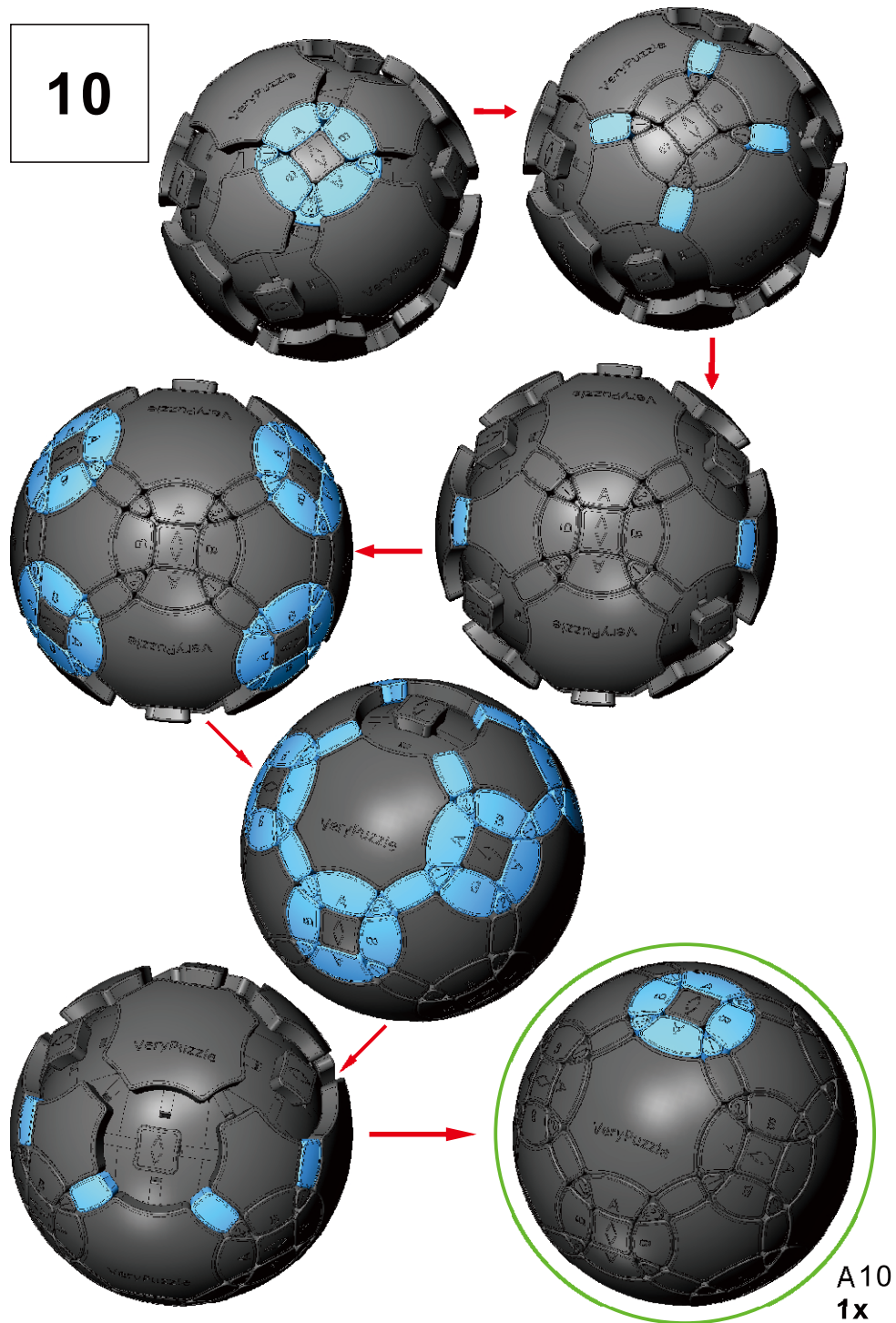
A9  
24x



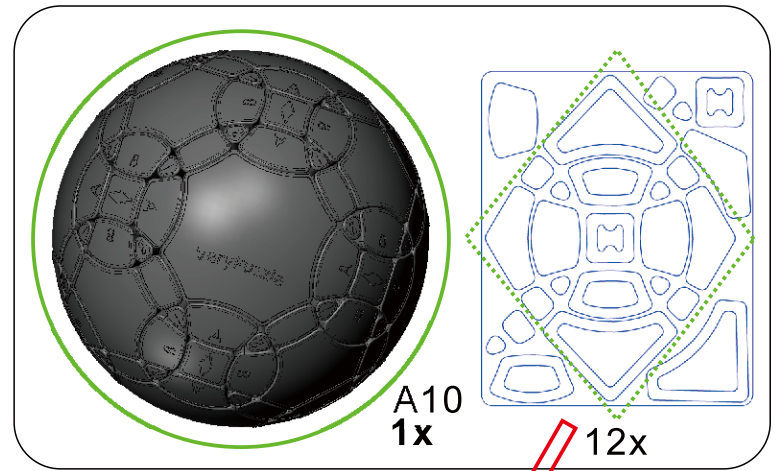
A6  
24x



10



11



12

# Rotation Rules



4-fold symmetry  
Turns  $60 \cdot n$  degrees



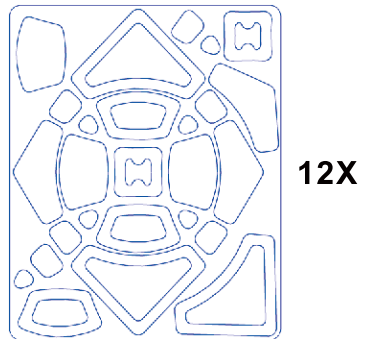
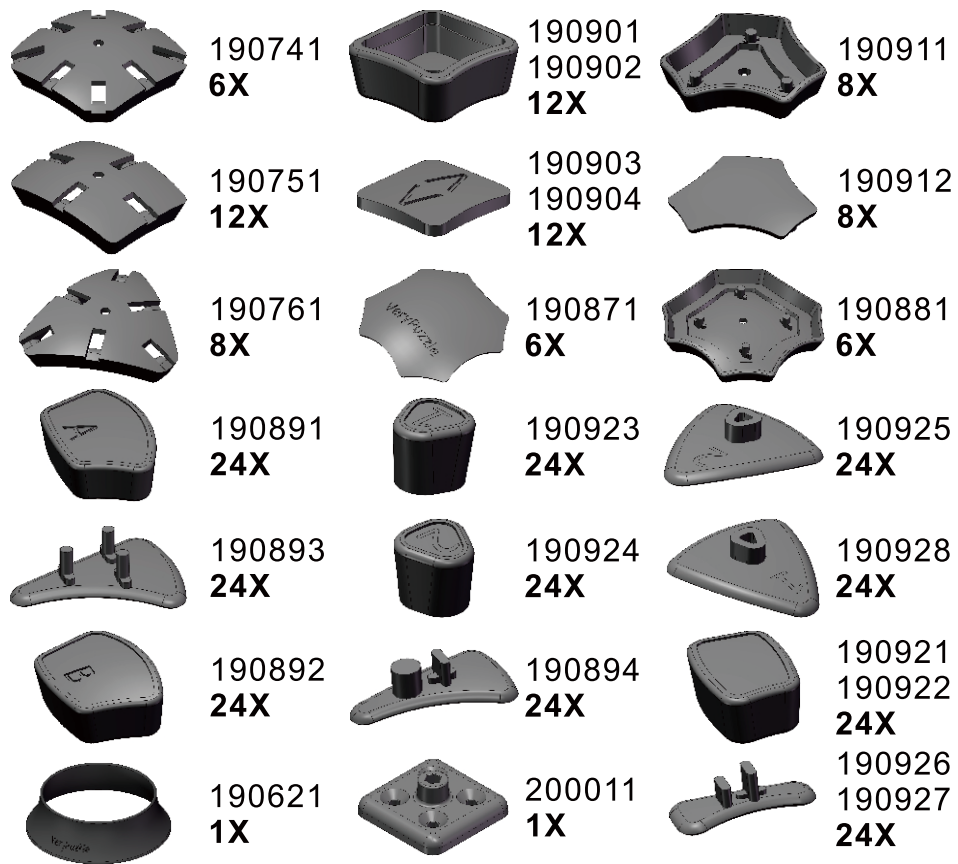
2-fold symmetry  
Turns  $72 \cdot n$  degrees



3-fold symmetry  
Turns  $60 \cdot n$  degrees

# Product Information Card

<b>Product Name</b>	CORD V1.0
<b>Model NO.</b>	#77
<b>Design</b>	VeryPuzzle Co., Ltd(HK)
<b>Manufacturer</b>	VeryPuzzle Co., Ltd(HK)
<b>Year of release</b>	2020
<b>Maximum diameter</b>	95 mm
<b>Visible moving parts</b>	146 pcs
<b>Assembly challenge</b>	★★★★☆☆☆☆
<b>Solving challenge</b>	★★★★☆☆☆☆
<b>Stickers strategy</b>	Voronoi, simplified
<b>Sticker material</b>	Textured
<b>Color scheme</b>	12 colors
<b>Sticker protection</b>	Yes
<b>Number of stickers</b>	204 pcs
<b>Axis &amp; Symmetry</b>	C(C4)+O(C3)+RD(C2)
<b>In-core spring</b>	Yes
<b>Adjustable tension</b>	No
<b>Technical Name</b>	C1O1RD1
<b>Topological Print</b>	C37.5O28RD22
<b>Core specification</b>	CORD80



## Customer Service

1. [support@verypuzzle.com](mailto:support@verypuzzle.com)



# VeryPuzzle